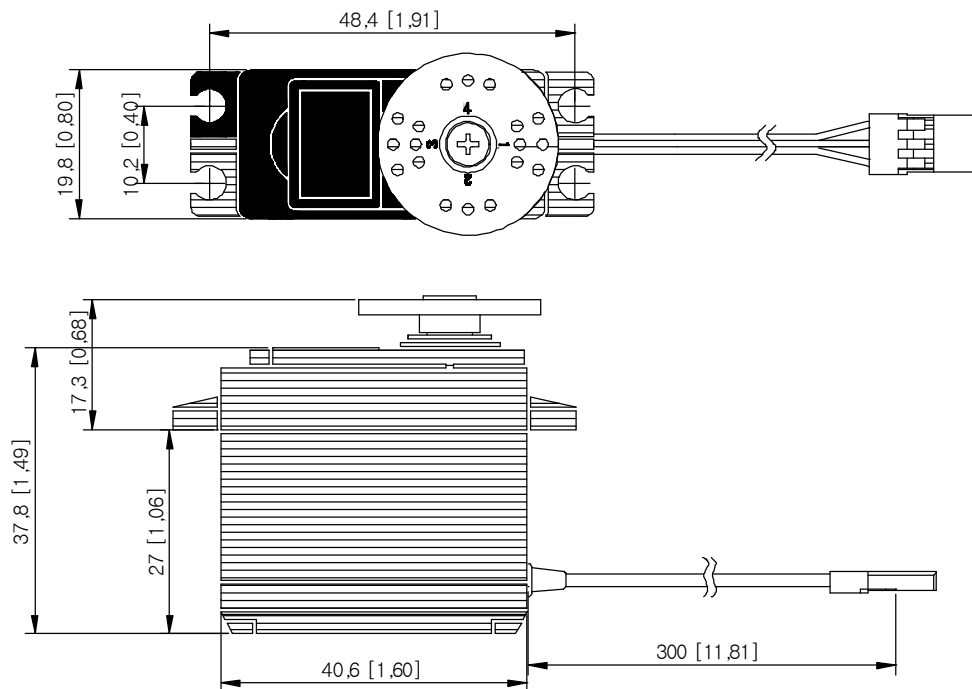


HSR-2645CR General Specification.



CONTINUE ROTATION SERVO

Control system	PWM			-
Position sensor type	-			-
Operating voltage range	4.8 ~ 7.4 V			-
Motor type	Cored Carbon Brush			-
Voltage	4.8V	6.0V	7.4V	At 25°C, 45% (±10%) measurement environment
No load speed	46RPM	58RPM	72RPM	
Stall torque	8.0 kgf·cm(111.1 oz-in)	10.0 kgf·cm(138.87oz-in)	12.0 kgf·cm(166.65oz-in)	
Standing current	3mA	3mA	3mA	
No load running current	110mA	120mA	140mA	
Stall current	1,700mA	2,000mA	2,400mA	
Dead band width	-	-	-	
Operating travel	continue rotation			-
Operating temperature range	-20°C ~ +60°C (-4°F ~ +140°F)			-
Vibrations at no load	-			-
Storage temperature range	-30°C ~ +80°C (-31°F ~ +176°F)			-
Connector wire length	300mm (11.81inch)			 <ul style="list-style-type: none"> 1. SIGNAL 2. VCC 3. GND
Connector wire gauge	22AWG			
Dimensions	40.6 mm x 19.8 mm x 37.8 mm (1.6 inch x 0.78inch x 1.49inch)			-
Weight	53.0 g(1.87oz)			-
Ball bearing	2 Ball Bearing			-
Case material	Engineering plastic			-
Gear material	1 Metal + Plastic & 3 Metal			-
Gear train backlash	Max 0.5°			-
Horn gear spline	24T(Ø6)			-
IP rate	-			-
Servo Amplifier type	8bit programmable Digital			-
Features	-			-
Applications	-			-



1:1 scale (unit : mm)



<https://hitechnology.com>